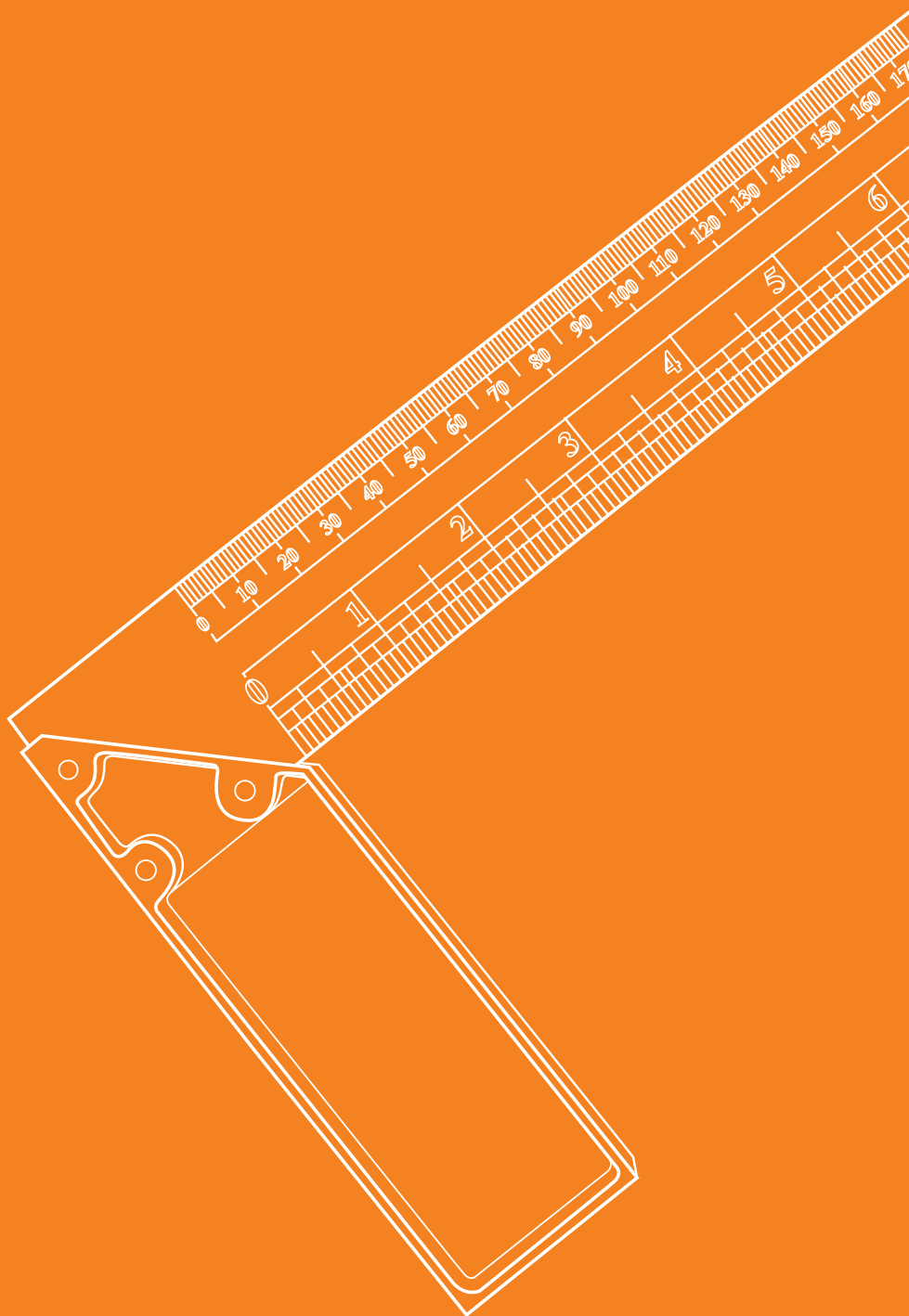


**FAMOUS
TOLEDO**



Stainless Steel Rules

Aluminium Straight Edge Rules

Contraction Rules

Folding Rules

Measuring Tapes

Stainless Steel Squares

Taper Gauges

Protractor

Pocket Balances/Spring Scales

Calipers & Dividers

MEASURING & PRECISION

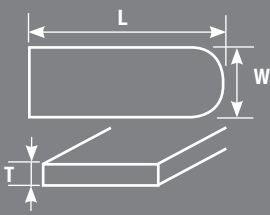




Stainless Steel Rules

- Toledo offers a comprehensive range of premium quality rules which have gained a reputation as market leaders
- Toledo rules superior quality is well recognised and are ideal for the trade professional
- Photographically etched markings provide the highest precision and accuracy
- Graduations are etched and black chrome plated to ensure long term visibility and protection against scuff marks and damage
- Fully heat treated and hardened stainless steel
- Satin chromed for quick and easy reading
- Accurate to Japanese Industrial Standard B 7516 – grade one specifications
- The only Japanese manufactured rules that are certified by both JIS (Japan Industrial Standards) and JCSS (Japan Calibration Service System)
- Supplied in reusable protective vinyl storage sleeve

Metal Rules Grade 1 of JIS B7516 - 2005 (Abstract)

Standard	Grade 1 of JIS B7516-2005						
Material	SUS420 J2 of JIS G 4305 or that equivalent or superior to this in quality						
Hardness of Material	Hv400 min						
Size  Unit: mm	Nominal Size	Overall Length (L)		Thickness (T)		Width (W)	
		Size	Tolerance	Size	Tolerance	Size	Tolerance
	150	175	+/-5mm	0.5	+/-10%	15	+/-2%
	300	335		1.0		25	
	600	640		1.2		30	
	1.000	1.050		1.5		35	
	1.500	1.565		2.0		40	
	2.000	2.065		2.0		40	
Flatness of scale face	The scale face shall be flat to a level of no hindrance to measurements						
Straightness of scale side face Unit: mm	Nominal Size	Straightness		Normal Size		Straightness	
	150	0.23max		1.000		0.40 max	
	300	0.26max		1.500		0.50 max	
	600	0.32max		2.000		0.60 max	
Straightness of scale side face	The squareness of the scale end face of a rule in respect of its scale side shall be 0.035mm max per 10mm length of the end face						
Tolerance of length Temperature at 20°C Unit: mm	Length			Tolerance			
	500 max			+/- 0.15			
	over 500 - 1.000 max			+/- 0.20			
	over 1.000 - 1.500 max			+/- 0.25			
	over 1.500 - 2.000 max			+/- 0.30			

STAINLESS STEEL RULES METRIC ONLY

Single Sided Rules METRIC

- Graduations on both upper and lower edges with numerical markings in centre only
- One square end and one round end with hanging hole
- Manufactured from stainless steel



150BM



300M

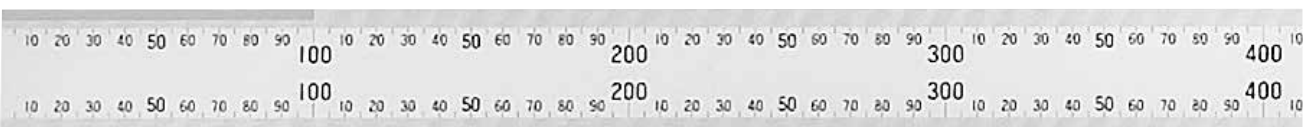
Part No.	Length	Width	Thickness	Graduations – Front (Back – Blank)	
				Upper Edge	Lower Edge
150BM	150mm	15mm	0.5mm	1mm	1/2mm
300M	300mm	25mm	1.0mm	1mm	1/2mm
600M	600mm	30mm	1.2mm	1mm	1/2mm
1000M	1000mm	35mm	1.5mm	1mm	1/2mm

Single Sided Rules METRIC

- Graduations and numerical markings on both upper and lower edges with numerical markings on lower and upper edge
- One square end and one round end with hanging hole
- Manufactured from stainless steel



2000M



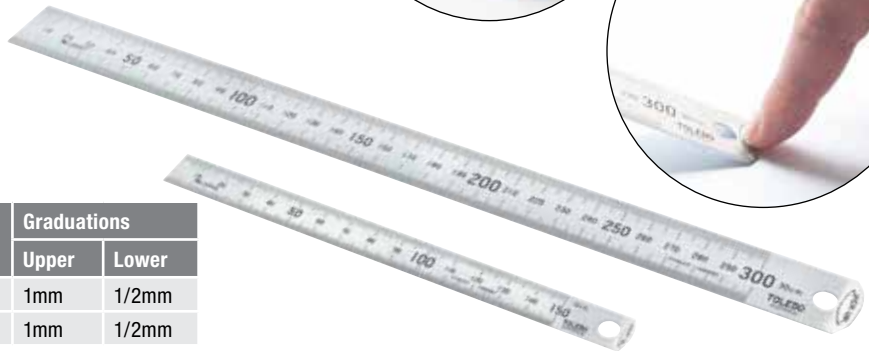
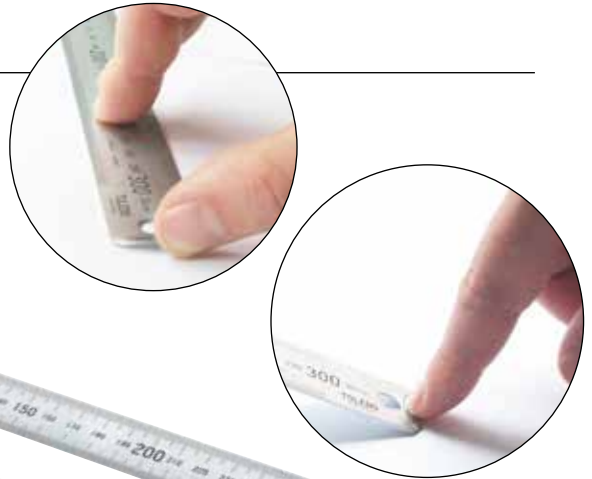
Close up of 2000M

Part No.	Length	Width	Thickness	Graduations – Front (Back – Blank)	
				Upper Edge	Lower Edge
1500M	1500mm	40mm	2.0mm	0mm – 100mm: 1/2mm, 100mm – 1500mm: 1mm	1mm
2000M	2000mm	40mm	2.0mm	0mm – 100mm: 1/2mm, 100mm – 2000mm: 1mm	1mm
3000M	3000mm	40mm	3.0mm	0mm – 100mm: 1/2mm, 100mm – 1500mm: 1mm	1mm
4000M	4000mm	40mm	3.0mm	1mm	1mm



Single Sided, Easy Pick-Up Rules **METRIC**

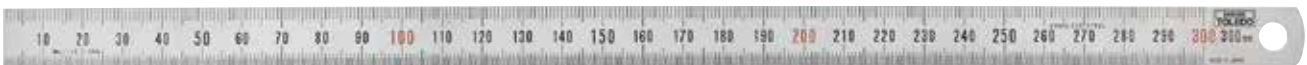
- Graduations on both upper and lower edges with numerical markings in centre only
- Easy pick-up rules feature a bent edge at one end to enable user to easily pick-up the rule from flat surfaces
- One square end and one round end with hanging hole
- Manufactured from stainless steel



Part No.	Length	Width	Thickness	Graduations	
				Upper	Lower
301956	150mm	15mm	1.0mm	1mm	1/2mm
301957	300mm	25mm	1.0mm	1mm	1/2mm

Single Sided, Flexible Rules **METRIC**

- Graduations on both upper and lower edges with numerical markings in centre only
- Toledo flexible rules are thinner in width and thickness to allow for damage free bending
- One square end and one round end with hanging hole
- Manufactured from stainless steel



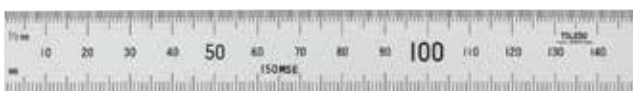
321900

Part No.	Length	Width	Thickness	Graduations	
				Upper	Lower
321900	300mm	15mm	0.5mm	1mm	1/2mm
321901	600mm	25mm	0.5mm	1mm	1/2mm



Double Sided Rules **METRIC**

- Graduations on both upper and lower edges with numerical markings in centre only
- Two square ends
- No quiet space - complete rule is graduated
- Manufactured from stainless steel



150MSE Front



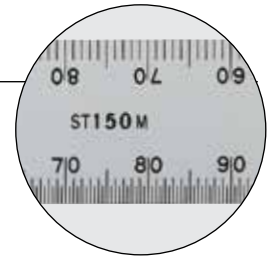
150MSE Back

Part No.	Length	Width	Thickness	Graduations Front (Metric)		Graduations Back (Metric)	
				Upper Edge	Lower Edge	Upper Edge	Lower Edge
150MSE	150mm	20mm	1.0mm	1/2mm	1mm	1/2mm	1mm
300MSE	300mm	28mm	1.0mm	1/2mm	1mm	1/2mm	1mm

MEASURING & PRECISION

Double Sided Rules **METRIC**

- Numerical markings in transverse order (lower edge counting left to right and upper edge counting right to left)
- Graduations on both upper and lower edge
- Two square ends
- No quiet space - complete rule is graduated
- Manufactured from stainless steel



ST150M Front



ST150M Back

Part No.	Length	Width	Thickness	Graduations Front (Metric)		Graduations Back (Metric)	
				Upper Edge	Lower Edge	Upper Edge	Lower Edge
ST150M	150mm	20mm	1.0mm	1mm	1/2mm	1mm	1/2mm
ST300M	300mm	28mm	1.0mm	1mm	1/2mm	1mm	1/2mm

Double Sided Rules **METRIC**

- Numerical markings on front side in centre counting from left to right
- Numerical markings on reverse side in centre beginning in middle and counting outwards to each end
- Graduations on both upper and lower edge
- One square end and one round end with hanging hole
- Manufactured from stainless steel



150SP Front



150SP Back

Part No.	Length	Width	Thickness	Graduations Front (Metric)		Graduations Back (Metric)	
				Upper Edge	Lower Edge	Upper Edge	Lower Edge
150SP	150mm	20mm	1.0mm	1mm	1/2mm	1mm	1/2mm
300SP	300mm	28mm	1.0mm	1mm	1/2mm	1mm	1/2mm

Double Sided, Pocket Clip Rule **METRIC**

- Graduations and numerical markings on both upper and lower edges with millimetre numerical markings in centre only
- Rule with pocket clip for easy storage
- Features "inch" to "mm" conversion table on reverse side
- One square end and one round end
- Manufactured from stainless steel



150PCM Front



150PCM Back

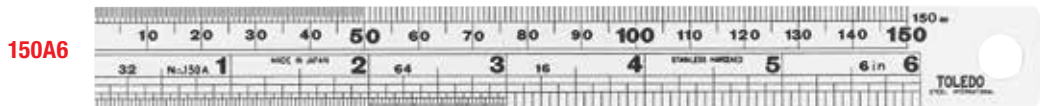
Part No.	Length	Width	Thickness	Graduations Front (Metric)		Back
				Upper Edge	Lower Edge	
150PCM	150mm	20mm	0.5mm	1/2mm	1mm	Conversion Table



STAINLESS STEEL RULES METRIC & ENGLISH

Single Sided Rules METRIC & ENGLISH

- Graduations and numerical markings on both upper and lower edges
- One square end and one round end with hanging hole
- Manufactured from stainless steel



150A6



150060

Part No.	Length	Width	Thickness	Graduations – Front	
				Upper Edge	Lower Edge
150A6	150mm	15mm	0.5mm	0-50mm: 1/2mm 50-150mm: 1mm	0-2inch: 32nds of one inch 2-3inch: 64ths of one inch 3-6inch: 16ths of one inch
150060	1500mm	40mm	2.0mm	1mm	16ths of one inch
200078	2000mm	40mm	2.0mm	1mm	16ths of one inch
3000118	3000mm	40mm	3.0mm	1mm	16ths of one inch

Double Sided Rules METRIC & ENGLISH

- Double sided with graduations and numerical markings on both upper and lower edges
- Two square ends
- No quiet space - complete rule is graduated
- See images for further explanation of markings and graduations
- Manufactured from stainless steel



ST150ME6 Front



ST150ME6 Back

Part No.	Length	Width	Thickness	Graduations Front (English)		Graduations Back (Metric)	
				Upper Edge	Lower Edge	Upper Edge	Lower Edge
ST150ME6	6 inch	20mm	1.0mm	32nds of one inch	64ths of one inch	1mm	1/2mm
ST300ME12	12 inch	28mm	1.0mm	32nds of one inch	64ths of one inch	1mm	1/2mm

Double Sided Rules **METRIC & ENGLISH**

- Double sided with graduations on both upper and lower edges
- Numerical markings on front side on upper and lower edges and in centre
- Numerical markings on reverse side in centre only
- Two square ends
- No quiet space - complete rule is graduated
- See images for further explanation of markings and graduations
- Manufactured from stainless steel



150SE Front



150SE Back

Part No.	Length	Width	Thickness	Graduations Front (English)		Graduations Back (Metric)	
				Upper Edge	Lower Edge	Upper Edge	Lower Edge
150SE	6 inch	20mm	1.0mm	32nds of one inch	64ths of one inch	1/2mm	1mm
300MESE	12 inch	28mm	1.0mm	32nds of one inch	64ths of one inch	1/2mm	1mm

Double Sided Rules **METRIC & ENGLISH**

- Double sided with graduations on both upper and lower edges
- Metric Front - numerical markings every 10mm in centre only
- English Back - numerical markings every 1 inch in centre only
- One square end and one rounded end with hanging hole
- Manufactured from stainless steel



30012 Front



30012 Back

Part No.	Length	Width	Thickness	Graduations Front (Metric)		Graduations Back (English)	
				Upper Edge	Lower Edge	Upper Edge	Lower Edge
150B6	150mm	20mm	1.0mm	1/2mm	1mm	0-2inch: 20ths of one inch 2-3inch: 50ths of one inch 3-6inch: 10ths of one inch	0-2inch: 32nds of one inch 2-3inch: 64ths of one inch 3-6inch: 16ths of one inch
30012	300mm	28mm	1.0mm	1/2mm	1mm	0-3inch: 20ths of one inch 3-4inch: 50ths of one inch 4-12inch: 10ths of one inch	0-3inch: 32nds of one inch 3-4inch: 64ths of one inch 4-12inch: 16ths of one inch
60024	600mm	30mm	1.2mm	1/2mm	1mm	0-3inch: 20ths of one inch 3-4inch: 50ths of one inch 4-24inch: 10ths of one inch	0-3inch: 32nds of one inch 3-4inch: 64ths of one inch 4-24inch: 16ths of one inch
100036	1000mm	35mm	1.5mm	1/2mm	1mm	0-3inch: 20ths of one inch 3-4inch: 50ths of one inch 4-36inch: 10ths of one inch	0-3inch: 32nds of one inch 3-4inch: 64ths of one inch 4-36inch: 16ths of one inch



TRS01

Rule Set

- Contains two popular 150mm and 300mm rules
- Manufactured from stainless steel
- Packaged in colour retail box



Contents

Part No.	Length	Width	Thickness	Graduations Front (Metric)		Graduations Back (English)	
				Upper Edge	Lower Edge	Upper Edge	Lower Edge
150BM	150mm	20mm	0.5mm	1/2mm	1mm	Blank	Blank
30012	300mm	28mm	1.0mm	1/2mm	1mm	0-3inch: 20ths of one inch 3-4inch: 50ths of one inch 4-12inch: 10ths of one inch	0-3inch: 32nds of one inch 3-4inch: 64ths of one inch 4-12inch: 16ths of one inch

ALUMINIUM STRAIGHT EDGE RULES

Straight Edge Rules Single Sided METRIC

- Features one straight edge and one graduated edge
- Two square corners with one hanging hole
- Manufactured from aluminium

Part No.	Length	Width	Thickness	Graduations	
				Front	Back
SE600	600mm	50mm	5mm	1mm	Blank
SE1000	1000mm	50mm	5mm	1mm	Blank
SE1500	1500mm	50mm	5mm	1mm	Blank
SE2000	2000mm	50mm	5mm	1mm	Blank

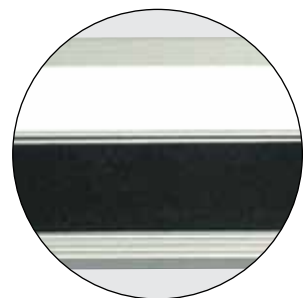


SE600

Straight Edge Rules Single Sided, Sponge Back METRIC

- Sponge back provides an anti-slip performance making measuring and alignment drawing easy and accurate and also protects against possible damage to the work surface
- Features one straight edge and one graduated edge
- Two square corners with one hanging hole
- Manufactured from aluminium

Part No.	Length	Width	Thickness	Graduations	
				Front	Back
AR300	300mm	35mm	5mm	1mm	Blank
AR450	450mm	35mm	5mm	1mm	Blank
AR600	600mm	35mm	5mm	1mm	Blank
AR1000	1000mm	35mm	5mm	1mm	Blank



Reverse side. Sponge back



AR300

CONTRACTION RULES

Contraction Rules

- Toledo contraction rules are elongated and oversized to allow for shrinkage within the article or item being measured
- Some applications involve metals and other materials which shrink as they cool and it is necessary to overstate the size of them during casting and moulding process etc.
- Manufactured from stainless steel



CR10600



CR20600

Part No.	Oversize Scale	Length	Width	Thickness
CR10600	1.010	600mm	30mm	1.2mm
CR20600	1.020	1000mm	30mm	1.2mm

FOLDING RULES

Single Sided Folding Rules **METRIC**

- Single sided with graduations on both upper and lower edges with numerical markings in centre only
- Toledo folding rules are precisely manufactured to maximise reliability and smooth operation
- Blades are locked into place when straightened via an accurately machined rivet function
- Blades straighten and align perfectly to maintain accurate graduations and measurements
- One square end and one round end when not fully extended. Square end to square end at full extension
- Manufactured from stainless steel



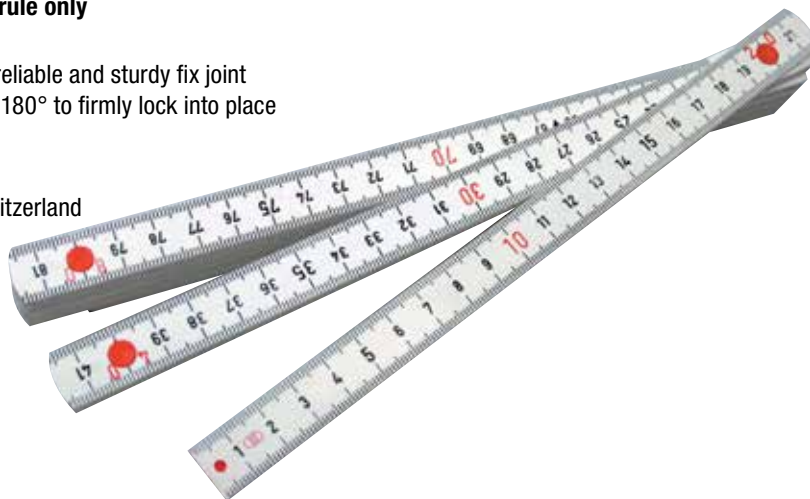
Part No.	Description	Overall Length (Max.)	Blade Length (Each)	Width	Thickness	Graduations – Front (Back – Blank)	
						Upper Edge	Lower Edge
600FM	2 blade/1 fold	600mm	315mm	20mm	0.7mm	1mm	1/2mm
1000FM	6 blade/5 fold	1000mm	175mm	15mm	0.5mm	1mm	1/2mm



321902

Single Sided Folding Rule Fibreglass **METRIC**

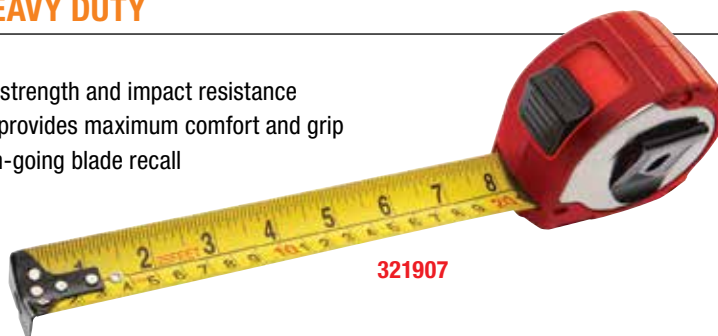
- Graduations in millimetres on lower and upper edges with centimetre numerical markings in centre of rule only
- Overall length: 2000mm
- Broken into 220mm segments connected via a reliable and sturdy fix joint mechanism which enables extensions of 90° or 180° to firmly lock into place
- Double sided markings
- Ideal for electrical work
- Premium trade quality item manufactured in Switzerland
- Manufactured from light, durable and insulating fibreglass



MEASURING TAPES

Measuring Tapes Steel Wide Blade **HEAVY DUTY**

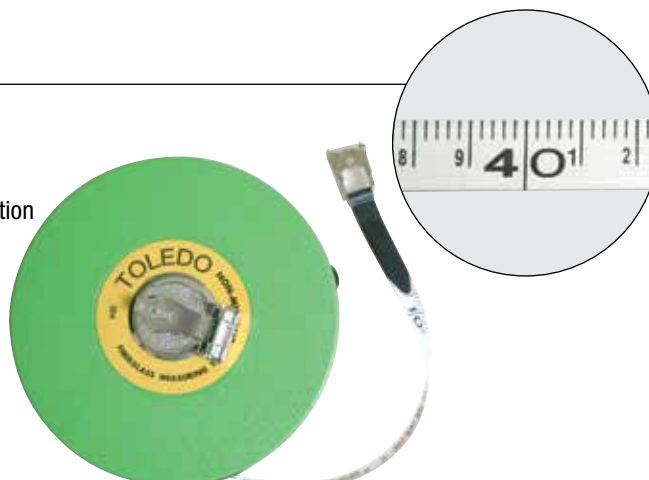
- Toledo tape measures are designed for heavy duty use
- Stainless steel shell and nylon coated blade for maximum strength and impact resistance
- Durable rubber casing protects against shock impact and provides maximum comfort and grip
- Wide robust steel blades and strong durable springs for on-going blade recall
- Firm holding stop lock function prevents any blade creep when locked
- Shock absorbing blade return bumper and belt clip for easy down time storage
- Available in metric only or metric and english



Part No.	Markings	Hook	Length	Width	Graduations (Back – Blank)	
					Lower Edge	Upper Edge
321905	Metric Only	Normal	5 metres	33.5mm	1mm	1mm
321906	Metric Only	Normal	8 metres	33.5mm	1mm	1mm
321907	Metric & English	Magnetic	8 metres/27 feet	33.5mm	1mm	16ths of one inch

Measuring Tape Fibreglass **METRIC**

- Non-metallic fibreglass metric tape measure
- Graduated in 2mm increments up to 30 metres
- Double sided metric markings
- Built in rubber hand strap and wind back handle for easy tape retraction
- Waterproof, dirt resistant, durable practical option



Part No.	Length	Width	Thickness	Graduations	
				Front	Back
TF30M	30m	13mm	0.50mm	2mm	2mm

STAINLESS STEEL SQUARES

- Squares are important for setting and performing accurate measurements and cuts as well as checking the square fit of glue joints and frames
- Also essential for ensuring tool faces, blades, fences and sanding blocks are accurately square
- Complete range including Carpenter's, Combination, Engineer's and Mini squares

Carpenter's Mitre Squares **METRIC & ENGLISH**

- Used for producing right angles in carpentry
- Stainless steel blade with reinforced plastic handle
- Graduated blade with metric and SAE markings
- Features hanger hole in blade
- Suitable for use as inner or outside try square, mitre square, horizontal, 45° marking gauge and rule
- Manufactured from stainless steel



Part No.	Length	Width	Thickness	Graduations	
				Upper Edge	Lower Edge
MS150	150mm / 6 inch	16ths of one inch	1mm	1mm	16ths of one inch
MS200	200mm / 8 inch	16ths of one inch	1mm	1mm	16ths of one inch
MS250	250mm / 10 inch	16ths of one inch	1mm	1mm	16ths of one inch
MS300	300mm / 12 inch	16ths of one inch	1mm	1mm	16ths of one inch

Engineering Squares

- Used for producing right angles in carpentry and engineering applications
- Available with blade lengths of 50mm/2 inch to 300mm/12 inch
- Stainless steel blade and handle

Part No.	Style	Blade Length
SSA2	Non-Graduated	50mm
SSA3	Non-Graduated	75mm
SSA4	Non-Graduated	100mm
SSA6	Non-Graduated	150mm
SSA8	Non-Graduated	200mm
SSA10	Non-Graduated	250mm
SSA12	Non-Graduated	300mm
SSA4G	Graduated	100mm
SSA6G	Graduated	150mm





Mini Squares **METRIC**

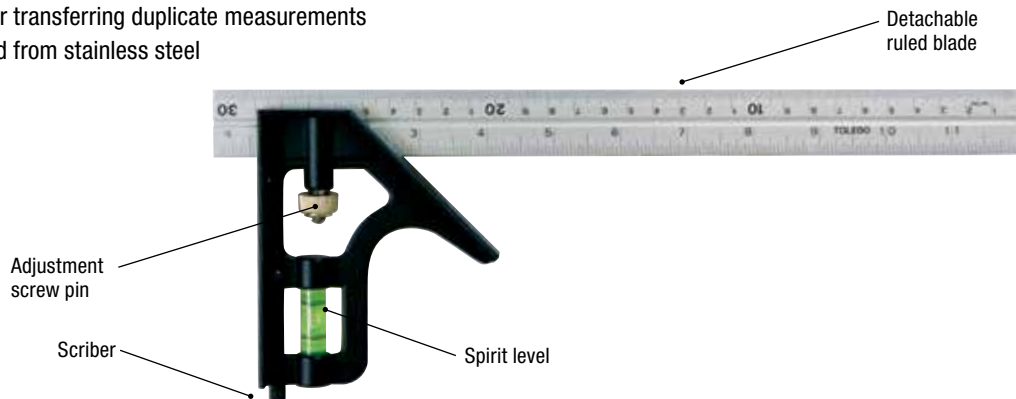
- Handy mini-squares for various small and medium measuring jobs
- Simple and light “L” squares
- Double sided photographically etched markings for ultimate accuracy and precision
- Manufactured from quality stainless steel to the strict standards of all Toledo rules



Part No.	Size	Width	Thickness	Graduations Front		Graduations Back	
				Upper Edge	Lower Edge	Upper Edge	Lower Edge
301958	100 x 50mm	10mm	1.2mm	1mm	Blank	1mm	10mm
301959	150 x 75mm	10mm	1.2mm	1mm	10mm	1mm	10mm
321015	300 x 150mm	15mm	1.2mm	1mm	5mm	1mm	5mm

Combination Square **METRIC & ENGLISH**

- Popular combination multi-application tool with versatile functionality
- Suitable for use as inner or outside try square, mitre square, horizontal, 45° and plumb level, depth and marking gauge and rule
- Detachable ruled blade (300mm / 12 inch)
- Spirit level for checking level and plumb
- Lidded scribe for marking work
- Suitable for multiple interchangeable heads including protractor and centring heads
- Useful tool for transferring duplicate measurements
- Manufactured from stainless steel



Part No.	Graduations Front		Graduations Back	
	Upper Edge	Lower Edge	Upper Edge	Lower Edge
CS30012	1mm	16ths of one inch	1mm	32nds of one inch

321930

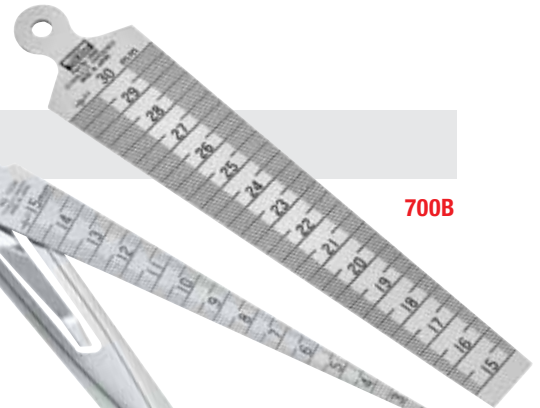
Circular Saw Guide Square

- Comfortable, sturdy and simple “L” angled cutting guide tool
- Ideal for use as a circular saw guide or for general measuring out work
- Rubber inter-mould to firmly grip work surface while avoiding damage
- Stainless steel guide frame for accurate line marking and 150mm graduated straight edge
- Right angle accuracy: within 0.3mm for 150mm
- Double sided function is suitable for both left and right handed users
- Manufactured from die cast aluminium



TAPER GAUGES

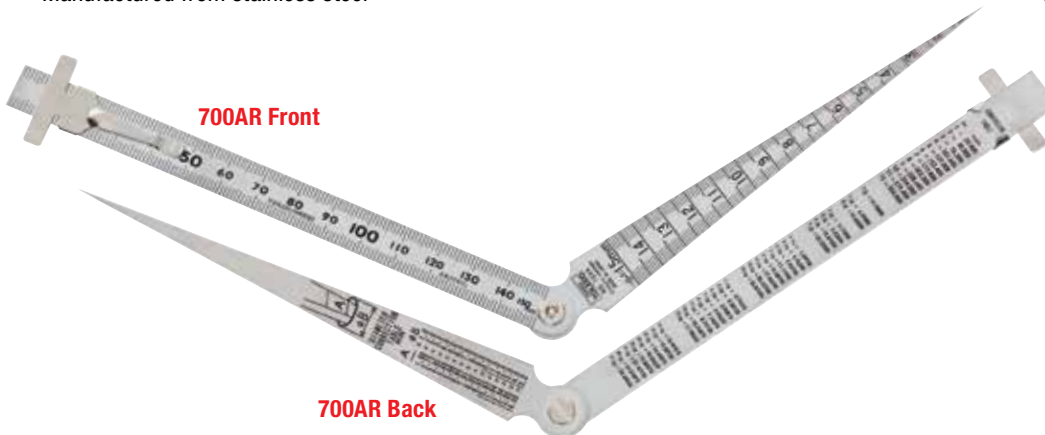
- Toledo taper gauges are a premium quality range manufactured in Japan
- Used to measure internal diameters. Ideal for measuring gaps, slot widths, hole or bore sizes and flange face to face dimensions
- Photographically etched markings ensure the greatest precision and accuracy
- Satin chromed for easy reading and identification
- Accuracy: $\pm 0.05\text{mm}$
- Available in various options below
- Manufactured from stainless steel



700B



700AM



700AR Front

700AR Back

Part No.	Size Range	Description
700A	1–15mm	Taper gauge with hanger hole
700B	15–30mm	Taper gauge with hanger hole
700AM	1–15mm	Taper gauge with hanger hole, metal case & pocket clip
700AR	1–15mm	Taper gauge with 150mm rule

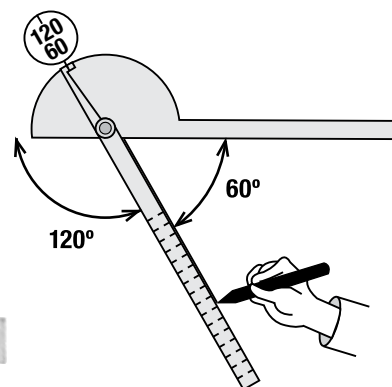


PROTRACTOR

301955

Protractor 180°

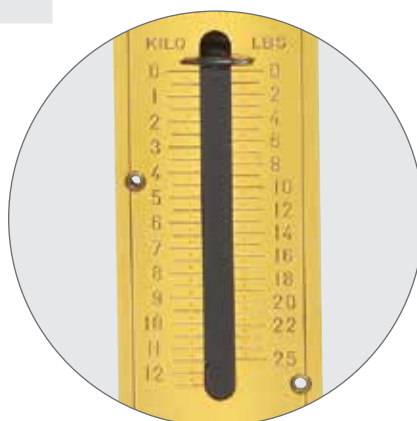
- For accurate angle, depth and length measurements
- 180° along with 100mm rule
- Photographically etched markings for ultimate precision and accuracy
- Deep etched with black chrome plating for long term visibility and service life
- Stainless steel with matt finish which is non-glare and easy to read



POCKET BALANCES/SPRING SCALES

- Toledo pocket balances are well respected as a quality option
- Manufactured in Germany they represent premium quality for the professional
- Protective coated brass face and glossy nickel plated hook and ring ensures corrosion resistance and long service life
- Dual scale readings in Kilograms and Pounds

Part No.	Capacity	Scale
100A	12.5kg (25Lbs)	250g (0.5Lbs)
100B	23.0kg (50Lbs)	500g (1Lbs)
100C	46.0kg (100Lbs)	500g (1Lbs)



CALIPERS & DIVIDERS

- Spring calipers and dividers designed for reliable, quick and accurate measurements during layout procedures and jobs
- Manufactured in Japan to strict standards to ensure accuracy and precision
- Legs pivot on a roller and are tensioned via bow spring
- Manufactured from stainless steel and feature a spring joint via a quick acting nut or solid screw nut
- Quick acting nut moves outwards and inwards quickly and easily without twisting/screwing
- Solid nut requires progressive twisting to wind in and out via the threaded tension bar

Inside Calipers

Part No.	Description	Length	Jaw Opening (Max.)
51100	Solid nut	100mm	100mm
51150	Solid nut	150mm	150mm
51200	Solid nut	200mm	200mm
51250	Solid nut	250mm	250mm
51300	Solid nut	300mm	300mm
54100	Quick acting nut	100mm	100mm
54150	Quick acting nut	150mm	150mm
54200	Quick acting nut	200mm	200mm
54250	Quick acting nut	250mm	250mm
54300	Quick acting nut	300mm	300mm

Inside Calipers
Solid Nut



Inside Calipers
Quick Acting Nut



Outside Calipers

Part No.	Description	Length	Jaw Opening (Max.)
52100	Solid nut	100mm	100mm
52150	Solid nut	150mm	150mm
52200	Solid nut	200mm	200mm
52250	Solid nut	250mm	250mm
52300	Solid nut	300mm	300mm
55100	Quick acting nut	100mm	100mm
55150	Quick acting nut	150mm	150mm
55200	Quick acting nut	200mm	200mm
55250	Quick acting nut	250mm	250mm
55300	Quick acting nut	300mm	300mm

Outside Calipers
Solid Nut



Outside Calipers
Quick Acting Nut



Dividers

Part No.	Description	Length	Jaw Opening (Max.)
50100	Solid nut	100mm	100mm
50150	Solid nut	150mm	150mm
50200	Solid nut	200mm	200mm
50250	Solid nut	250mm	250mm
50300	Solid nut	300mm	300mm
53100	Quick acting nut	100mm	100mm
53150	Quick acting nut	150mm	150mm
53200	Quick acting nut	200mm	200mm
53250	Quick acting nut	250mm	250mm
53300	Quick acting nut	300mm	300mm

Dividers
Solid Nut



Dividers
Quick Acting Nut

